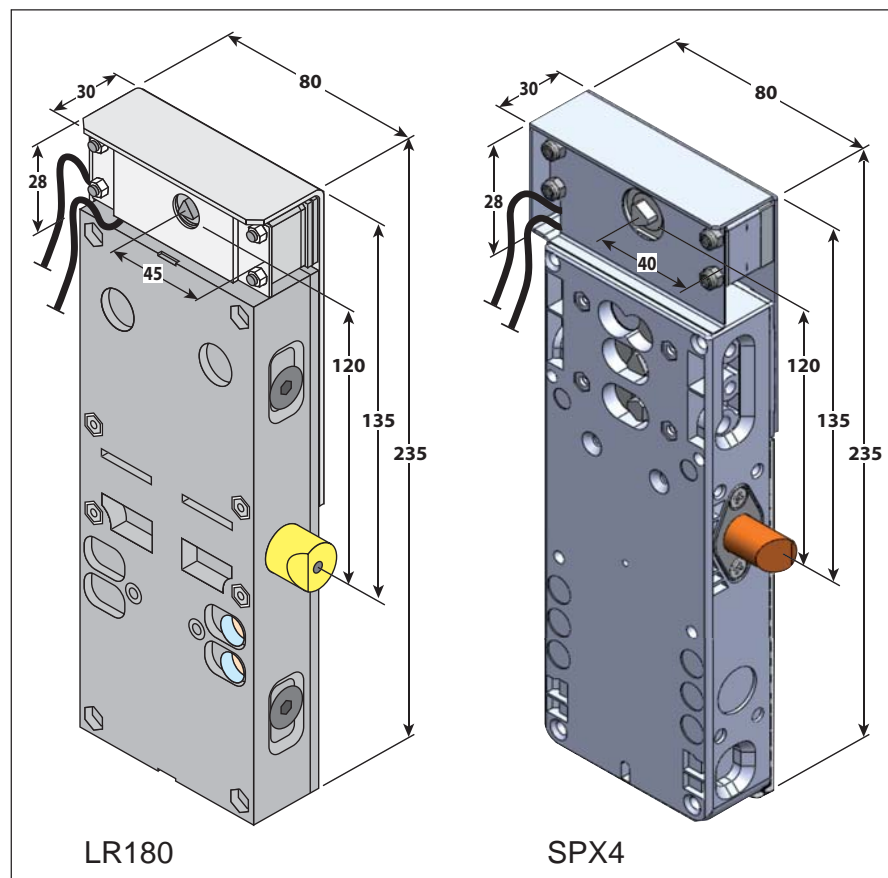
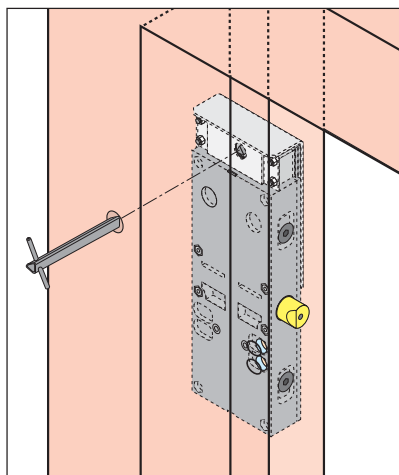
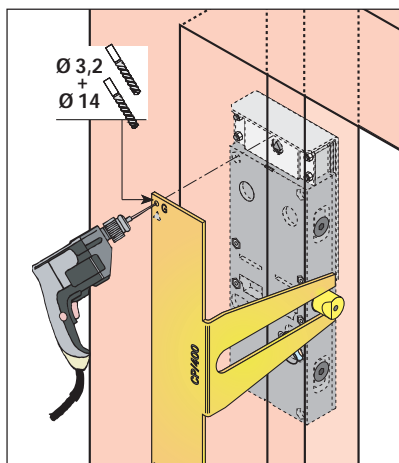




### VERY IMPORTANT :

Systems : DAV, AEX, BEX, CEX, DEX, **must be associated** to buzzer or luminous warning.

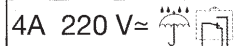


LR180

SPX4

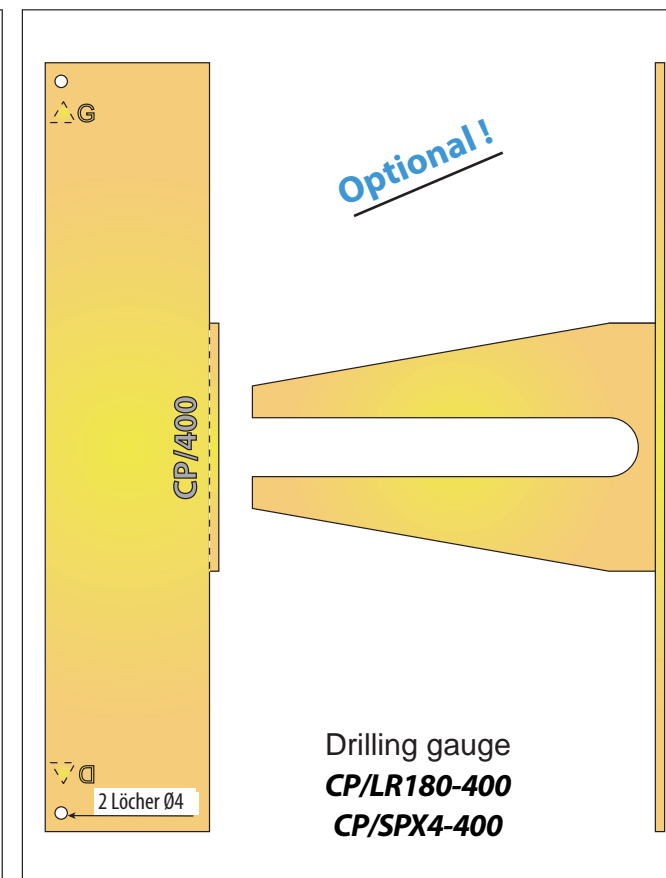
### Wiring :

- **Cable Nr. 1 :** 3 wires (inverse contact) : black (commun) ; gray (NO) ; blue (NF).
- **Cable Nr. 2 :** 3 wires (inverse contact) : black (commun) ; gray (NO) ; blue (NF).



The module **D-DEX/400** has 2 **waterproof reversible contacts** 4A/220 V. These contacts are activated by the **safety triangular key** as soon as it has been turned to open the door. The contacts are established and give the possibility to engage for example a buzzer alarm and the lighting of the shaft. After removing the key, the contacts take their initial position again.

The module **D-DEX/400** is mounted on locks LR180 \*\* + D-DEX/400.



Drilling gauge  
**CP/LR180-400**  
**CP/SPX4-400**



### IMPORTANT :

Indicate the unlocking sens

